



# ATM Mini Lock

## Infosheet

More than just locks. Find out why.

The ATM Mini Lock has been designed for the door of any cabinet or ATM top box. It is perfect for locations with limited space.

The lock has an integrated keypad and is battery-powered with no cable connections required. It can be used with the Mobile App.

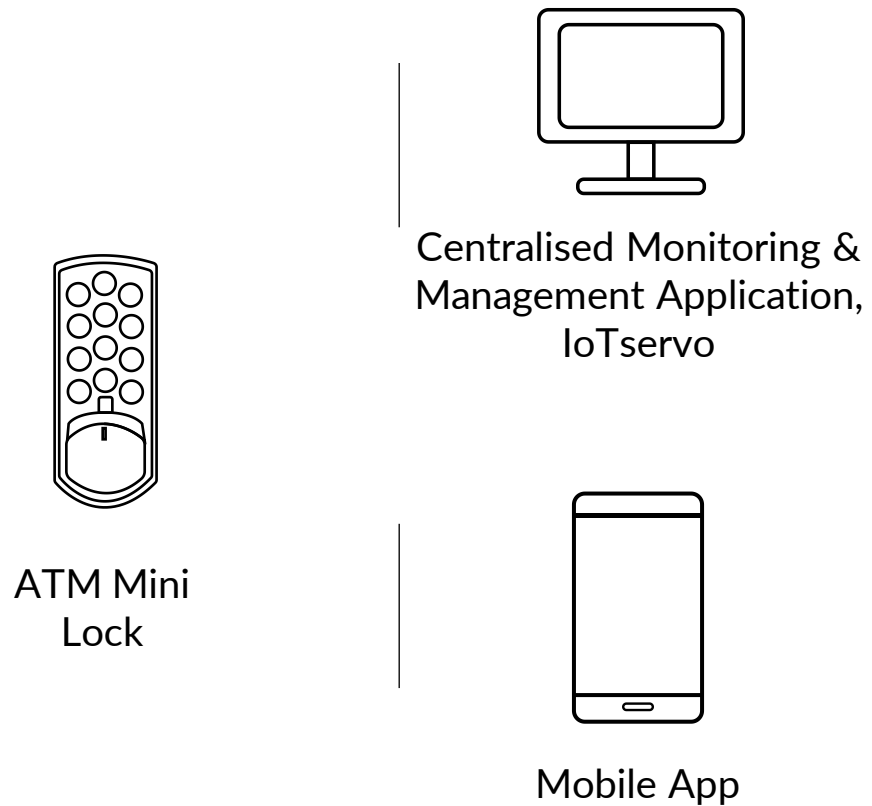
## Discover more about the features and benefits of ATM Mini Lock

Features & benefits.....	4
Top reasons to install ATM Mini Lock.....	7
Technical specifications.....	8



# The ATM Mini Lock consists of the following solution elements

---



## Centralised Scheduling & Management Application

Users, locks and schedules are centrally managed via the remote management application, IoTservo.

## Mobile App

The ATM Mini Lock only opens if the user credentials and schedule have been validated.

If everything is correct, the user can request the One Time Code (OTC). The OTC is automatically generated by the central application and can be sent directly to the lock via the Mobile App or entered manually by the user via the integrated keypad.

# Features & Benefits

## No physical keys

The inefficiencies, costs and security risks of handling and managing physical keys and tags are eliminated. Real-time One-Time-Codes (OTCs) are used to open the ATM Mini Lock instead of physical keys.

## Defends against unauthorised openings

ATM Mini Lock only unlocks once the schedule, lock and user credentials have been validated. If one of these parameters is not valid, the lock will not unlock

## User-friendly access

ATM Mini Lock is fast and easy to unlock via the Mobile App or via manually entering the OTC into the integrated keypad.

## No need for cabling. Long battery lifespan

ATM Mini Lock is powered by long-life battery. The battery is woken up at the time of opening and the power is conserved when not in use.



## User-friendly Mobile App for OTC access

The OTC can be sent directly to the ATM ATM Mini Lock via the Mobile App. Mobile App communication is via NFC. Each authorised user is registered in the system with their individual mobile phone IMEI and PIN. Mobile phone user access can instantly be added or removed remotely using the centralised management application. The Mobile App includes an OTC wallet which stores valid, upcoming, expired and used OTCs.





## Centralised scheduling & remote management

Lock access schedules for service personnel are created and approved centrally. An access schedule is created for each user or group of users which defines the access hours and days, according to their permissions. In some circumstances, access for a user can be instantly removed, even if access has been pre-approved for that user.

## Third party secure access to scheduling and management system

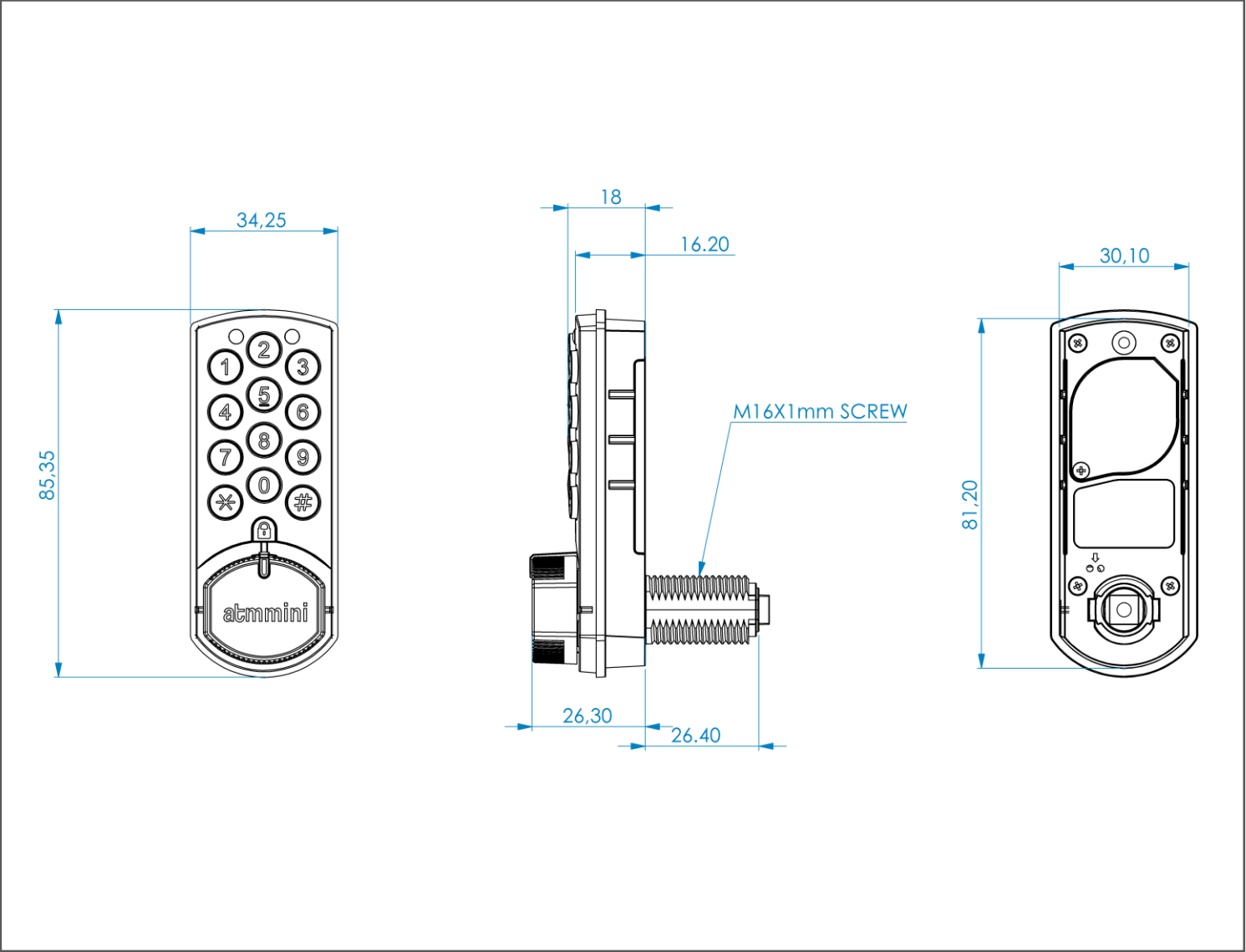
If required, shared access partners can be granted access to all or part of the management application, according to their permissions. This results in cost savings and improved efficiency. When there is a change of partner or partner's personnel, there is no time-consuming need for 'vendor meets' to manually 'shelve' a lock on-site.

## Top Reasons to install ATM Mini Lock

1. Perfect for any ATM top box or cabinet
2. No physical keys. Secure OTCs
3. User-friendly access via Mobile App or keypad
4. Remote management of users and locks
5. No external cables; battery powered
6. Suitable even for outdoor environment



# Technical Specifications



## Features

	Indoor	Outdoor
Communication	NFC	NFC
Working temperature	+10°C to +50°C	-20°C to +60°C
IP	IP54	IP54
Knob durability	>45Kgf	>45Kgf
UV durability	>10000h	>10000h
Vibration durability	10-200Hz, 2g	10-200Hz, 2g
Electrostatic durability	8KV	8KV
Internal battery	550mAH	550mAH
Battery Type	Li-MnO2	Li-MnO2
Battery life	<50000 cycles	<30000 cycles

# BVK Key-less lock solutions

All managed and controlled by BVK's centralised management application, IoTservo

